

# Alipai 110 series is updated to the FLOW model

VILPE warranties:

10 year colour guarantee

20 year technical guarantee

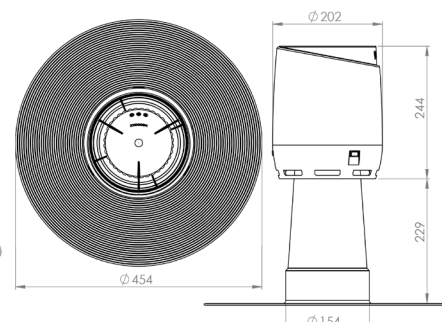
## VILPE® ALIPAI FLOW 110 UNDERPRESSURE AIR VENT

Description: For ventilating roof structures of a low-pitched felt roof.

Content: Underpressure ventilation pipe, FLOW cowl.

These products replace the VILPE® Alipai 110 series (product number: 730100, 730104, 730105, 73010).

MODEL	COLOUR	PRODUCT NUMBER
Ø 110	Black	732102
	Dark grey	732107
	Light grey	732101
	Black assembled	732112



## VILPE® ALIPAI FLOW RIDGE 27° UNDERPRESSURE AIR VENT

Description: For ventilating roof structures of a felt roof with a pitch of 14 degrees.

Content: Underpressure ventilation pipe, FLOW cowl.

This product replaces VILPE® Alipai ridge 27 (product number: 730130 and 730132).

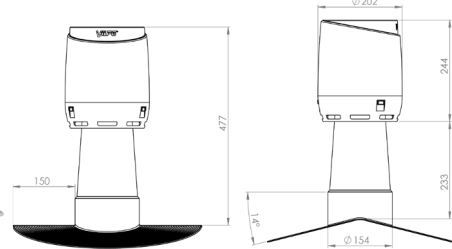
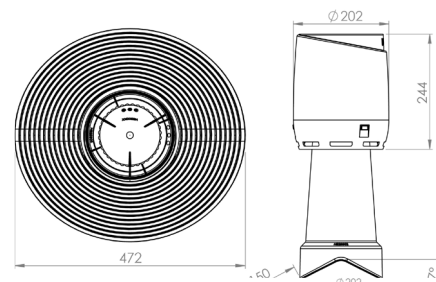
## VILPE® ALIPAI FLOW RIDGE 14° UNDERPRESSURE AIR VENT

Description: For ventilating roof structures of a felt roof with pitch of 14 degrees.

Content: Underpressure ventilation pipe, FLOW cowl.

This product replaces VILPE® Alipai ridge 14 (product number: 730420 and 73042).

Ø 110	Black assembled	732152
Ø 110	Black in parts	732142



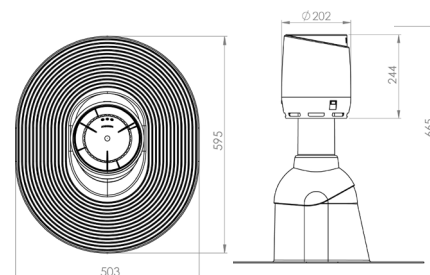
## VILPE® ALIPAI FLOW LOW-PITCHED/INCLINED

Description: For ventilating roof structures of a gently sloping felt roof (with a pitch of 0-20 degrees).

Content: Felt tall pass-through, underpressure air vent pipe, FLOW cowl, screws.

The product replaces VILPE low-pitched/inclined 110 (product number 73014).

Ø 110	Black	732172
-------	-------	--------



## VILPE® ALIPAI FLOW INCLINED

Description: For ventilating roof structures of an inclined felt roof (with pitch over 11,5 degrees).

Content: Felt pass-through, underpressure air vent pipe, FLOW cowl and screws.

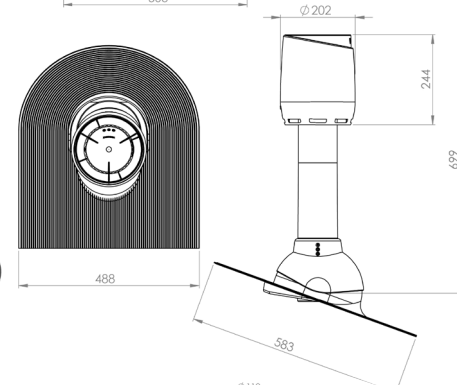
The product replaces VILPE® Alipai inclined (product number 73012).

## VILPE® ALIPAI EXTENSION

Description: Extension pipe for all uninsulated Alipai 110 vents. Utility length 134 mm.

Content: Extension pipe.

Ø 110	Black	732162
-------	-------	--------



Ø 110	Black	73111
-------	-------	-------

